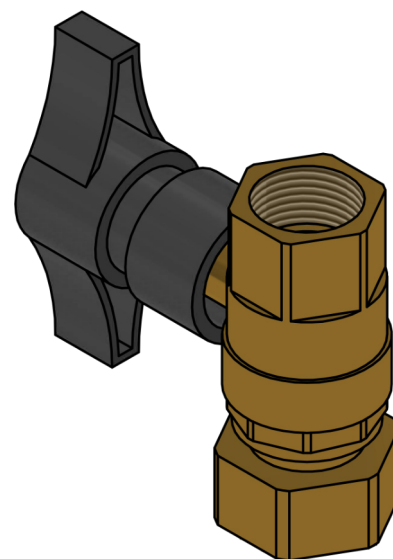
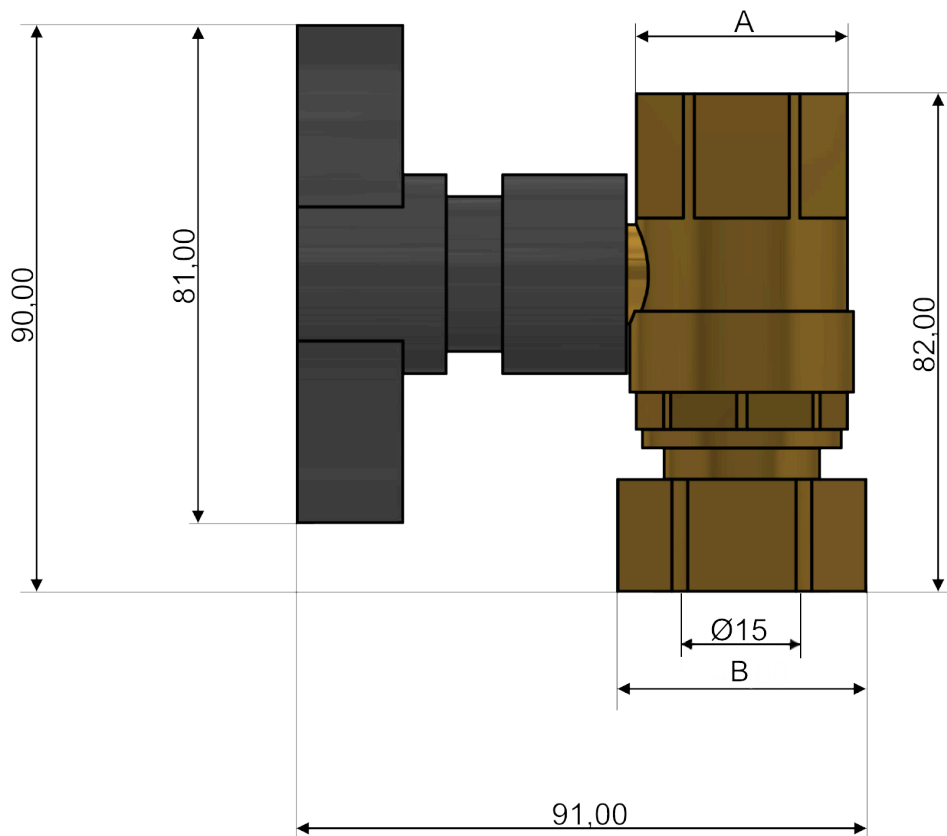


IT ::	Valvola a Sfera con dado girevole
EN ::	Ball valve with rotating nut
FR ::	Robinet boisseau spherique, ecrou tournant



	A	B
VS0142007PN0	3/4"	3/4"
VS0142010PN0	1"	1"

Parti / Parts / Parties	Materiale / Material / Matériel
Corpo / Body / Corps	CW617N
Maniglia / Handle / Manette	Polypropilene

Dati Tecnici / Technical Data / Fiche Technique	
T° di funzionamento / Working temperature / Température de service	0 - 90 °C
Pressione max / Max Pressure / Pression maximale	PN 20