

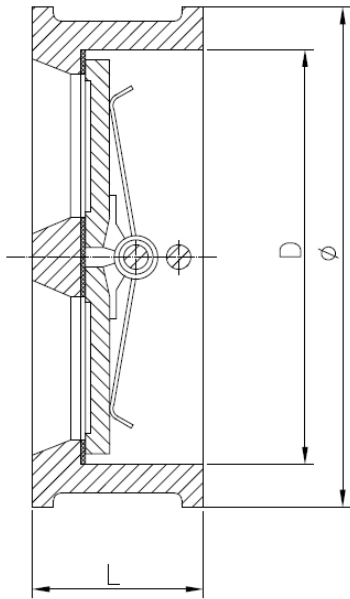
Descrizione Componenti - Components Description - Description des composants

Item	Descrizione - Description	Materiale - Material - Matériel
1	Corpo - Body - Corps	Grey Cast Iron GG 25 (EN-GJL-250)
2	Molla - Spring - Ressort	Stainless Steel AISI 316
3	Battente - Disk - Battant	Stainless Steel AISI 316 (CF8M)
4	Anello - Ring - Bague	Carbon Steel
5	Sede - Seat - Siège	NBR vulcanized
6	Stelo - Stem - Tige	Stainless Steel AISI 316
7	Stelo - Stem - Tige	Stainless Steel AISI 316
8	Rondella - Washer - Rondelle	PTFE
9	Guarnizione - Gasket - Joint	NBR
10	Vite - Screw - Visser	Carbon Steel

Caratteristiche - Features - Caractéristiques

Pressione Nominale - Nominal Pressure - Pression Nominal	PN 16
Temperatura - Temperature - Température	-10°C to 80°C
Flange - Flanges - Brides	PN 10 / 16
Face to Face Dimension	DIN 3202-1 (EN 558-1 Serie 50)
Unit Pressure Tests	EN 12266-1

Ingombri - Overall dimensions - Dimensions

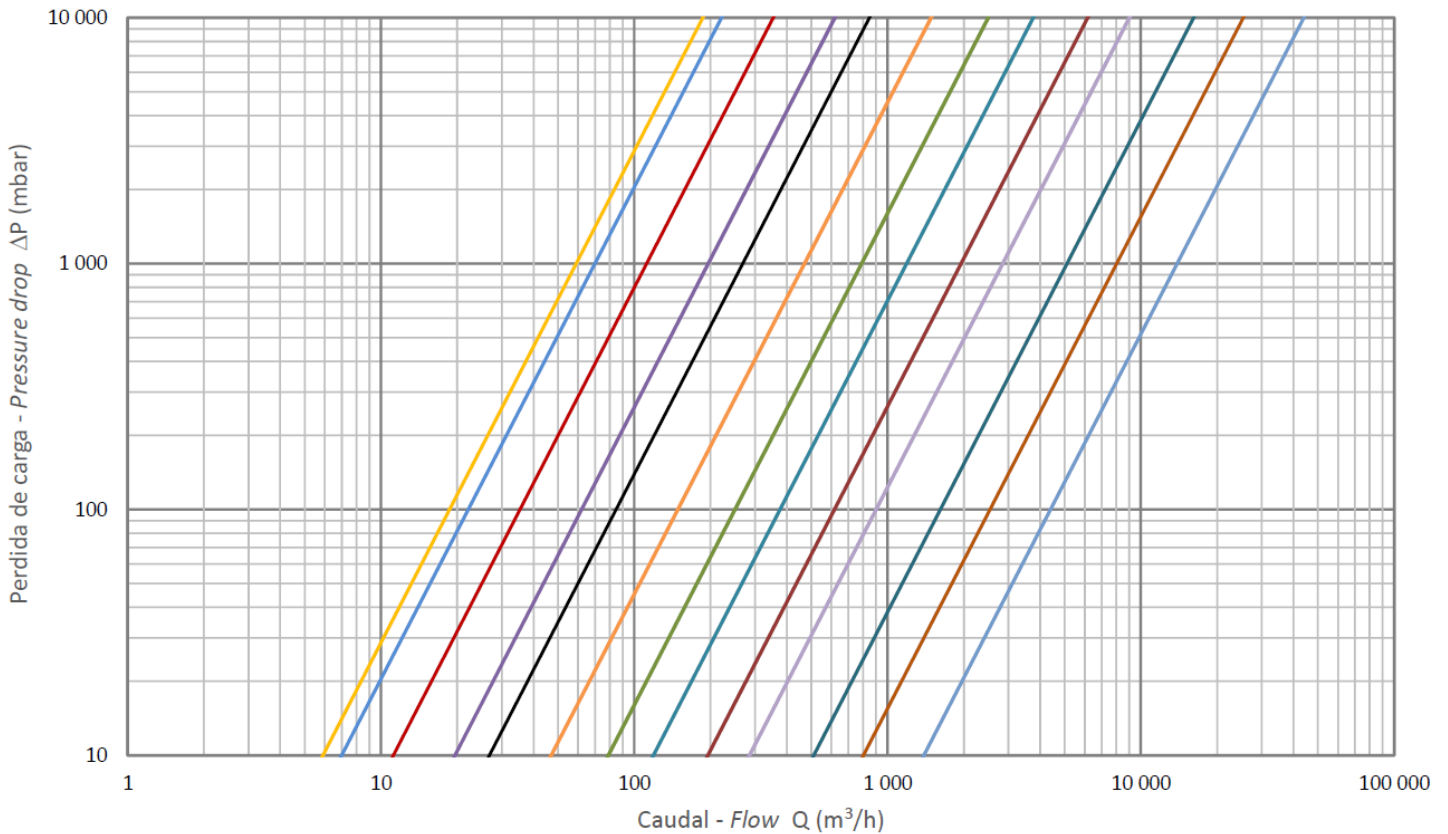


DN	L (mm)	Ø (mm)	D (mm)	Weight (Kg)
40	43	92	65	1,2
50	54	107	65	1,9
65	54	127	80	2,5
80	57	142	94	2,9
100	64	162	117	4,5
125	70	192	145	6,3
150	76	218	170	9,0
200	95	273	224	15,7
250	108	329	265	23,8
300	143	384	312	41,0
350	184	446	360	61,0
400	191	498	410	78,0
500	213	610	500	133,0

Diagramma perdite di carico - Head Loss Chart - Tableau de perte de charge

(Acqua con flusso orizzontale a 20°C - Water in horizontal flow at 20°C)

— 1 1/2" — 2" — 2 1/2" — 3" — 4" — 5" — 6" — 8" — 10" — 12" — 14" — 16" — 20"



1 mca = 100 mbar

Size (inches)	1 1/2"	2"	2 1/2"	3"	4"	5"	6"	8"	10"	12"	14"	16"	20"
Nominal size	DN 40	50	65	80	100	125	150	200	250	300	350	400	500
Flow coefficient	Kv 59	70	112	196	268	470	790	1190	1952	2850	5110	8025	13900