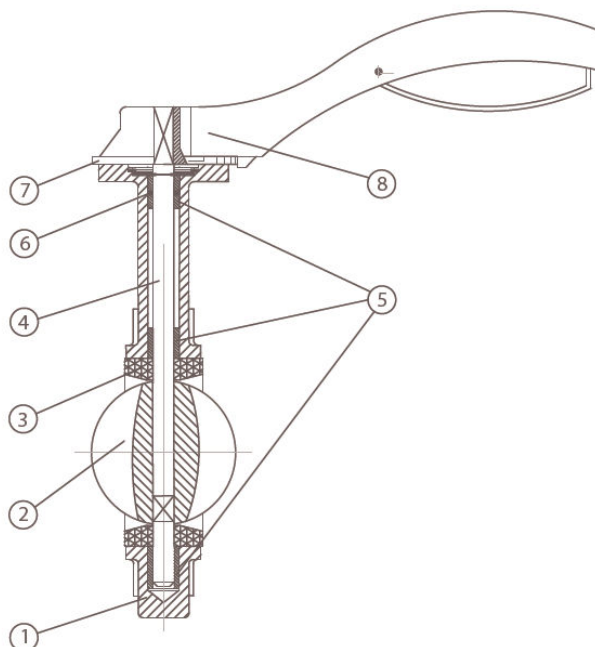


| | |
|--------------|--|
| IT :: | Valvola a farfalla Wafer PN 16 (Stelo e lente Inox) |
| EN :: | Butterfly valve Wafer pattern PN 16 (Stainless Steel steem/lens) |
| FR :: | Vanne papillon Wafer PN 16 (Barre / Disque en acier inoxydable) |

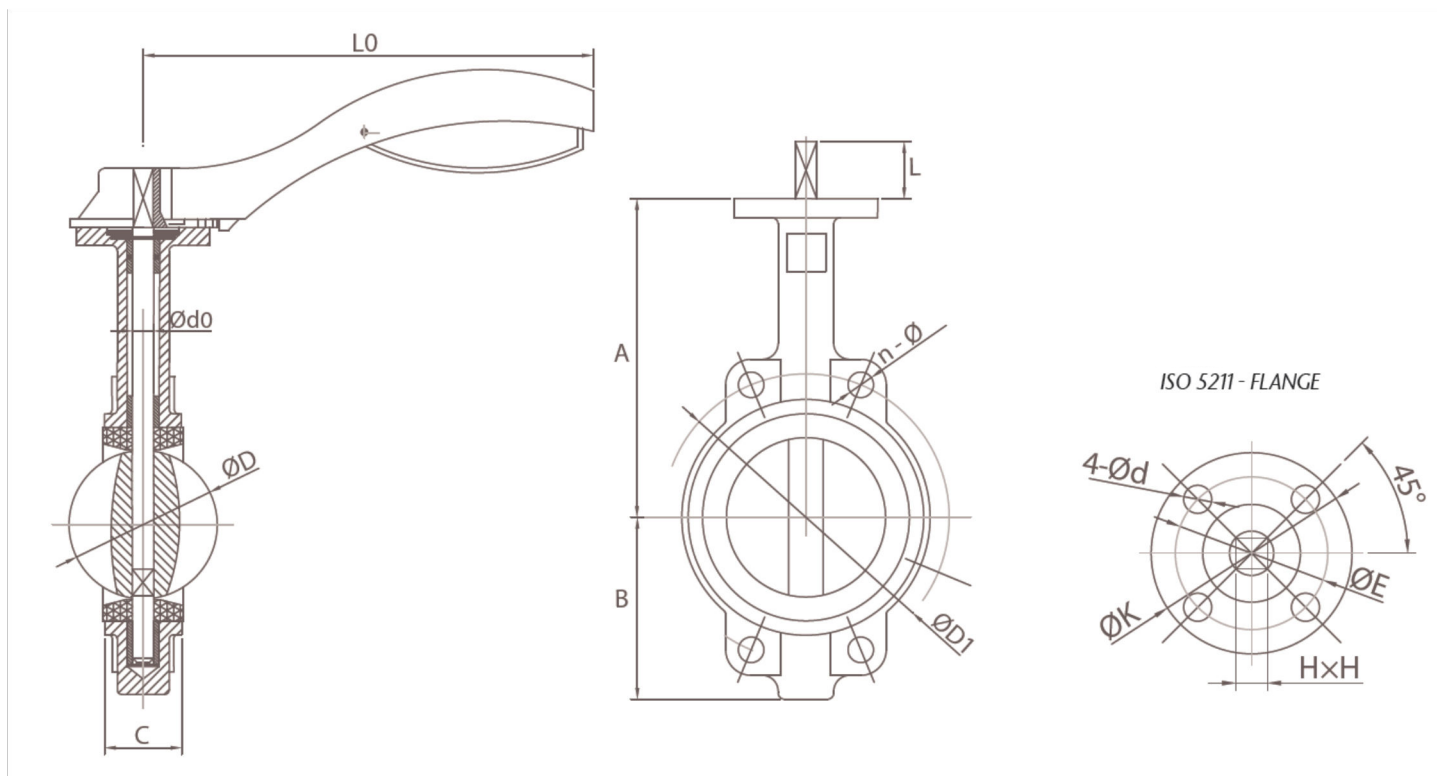


Descrizione Componenti - Components Description - Description des composants

| Item | Descrizione - Description | Materiale - Material - Matériel |
|------|---|--|
| 1 | Corpo - Body - Corps | Ghisa grigia - Grey Cast Iron - Fonte grise GG 25 (EN-GJL-250) |
| 2 | Battente - Disk - Battant | Acciaio Inox - Stainless Steel - Acier inoxydable AISI 316 (CF8M) |
| 3 | Elastomero - Elastomer - Élastomère | EPDM |
| 4 | Stelo - Stem - Tige | Acciaio Inox - Stainless Steel - Acier inoxydable AISI 416 |
| 5 | Boccole - Bushings - Bagues | PTFE |
| 6 | O-Ring | EPDM |
| 7 | Piatto seghettato - Serrated plate - Assiette dentelée | Acciaio al carbonio - Carbon Steel - Acier Carbone |
| 8 | Leva - Hand Lever - Levier à main | Alluminio - Aluminium |

Caratteristiche - Features - Caractéristiques

| | |
|---|----------------|
| Pressione Nominale - Nominal Pressure - Pression Nominal | PN 16 |
| Temperatura - Temperature - Température | -10°C to 120°C |
| Flange - Flanges - Brides | PN 10 / 16 |
| Top Flange | ISO 5211 |
| Internal and external protection in blue Epoxy resin, electrostatically applied | |



Dimensioni - Dimensions (mm)

| DN | A | B | C | $\varnothing d_0$ | $\varnothing D$ | $\varnothing D_1$ | n- \varnothing | L | L0 | HxH | Flange - ISO 5211 | | | Weight (Kg) | |
|-----|-----|-----|----|-------------------|-----------------|-------------------|------------------|----|-----|-------|--------------------|------|-----|-------------|------|
| | | | | | | | | | | | 4- $\varnothing d$ | K | E | | |
| 32 | 134 | 66 | 33 | 11,0 | 34,9 | 100 | 4-19 | 24 | 170 | 9x9 | F05 | 4-7 | 70 | 50 | 2,4 |
| 40 | 150 | 75 | 33 | 12,6 | 42,8 | 110 | 4-19 | 24 | 170 | 9x9 | F05 | 4-7 | 70 | 50 | 2,6 |
| 50 | 161 | 75 | 43 | 12,6 | 52,9 | 125 | 4-19 | 29 | 170 | 9x9 | F05 | 4-7 | 70 | 50 | 2,8 |
| 65 | 175 | 89 | 46 | 12,6 | 64,5 | 145 | 4-19 | 29 | 170 | 9x9 | F05 | 4-7 | 70 | 50 | 3,1 |
| 80 | 181 | 95 | 46 | 12,6 | 78,8 | 160 | 4-19 | 26 | 170 | 11x11 | F05 | 4-7 | 70 | 50 | 3,5 |
| 100 | 200 | 114 | 52 | 15,8 | 104,0 | 180 | 4-19 | 26 | 170 | 11x11 | F05 | 4-7 | 70 | 50 | 4,6 |
| 125 | 213 | 127 | 56 | 18,9 | 123,3 | 210 | 4-19 | 28 | 220 | 14x14 | F07 | 4-9 | 90 | 70 | 6,6 |
| 150 | 226 | 139 | 56 | 18,9 | 155,1 | 240 | 4-23 | 32 | 220 | 14x14 | F07 | 4-9 | 90 | 70 | 8,2 |
| 200 | 260 | 175 | 60 | 22,1 | 202,5 | 295 | 4-23 | 29 | 260 | 17x17 | F07 | 4-9 | 90 | 70 | 12,5 |
| 250 | 292 | 203 | 68 | 28,5 | 250,5 | 355 | 4-28 | 38 | 350 | 22x22 | F10 | 4-12 | 125 | 102 | 19,5 |
| 300 | 337 | 242 | 78 | 31,6 | 301,6 | 410 | 4-28 | 34 | 350 | 22x22 | F10 | 4-12 | 125 | 102 | 30,1 |