

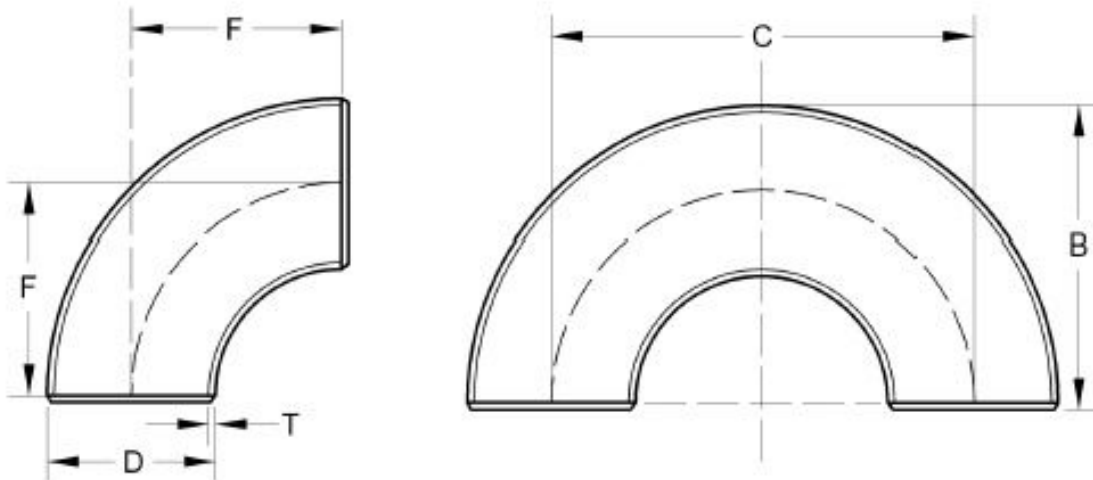
 <b>Dettagli Tecnici</b>	
<b>Materiale:</b>	Acciaio al carbonio
<b>Conformità:</b>	EN 10253-1

 <b>Technical Details</b>	
<b>Material:</b>	Carbon steel
<b>According to:</b>	EN 10253-1

 <b>Fiche Technique</b>	
<b>Matériel:</b>	Acier Carbone
<b>Conformité:</b>	EN 10253-1

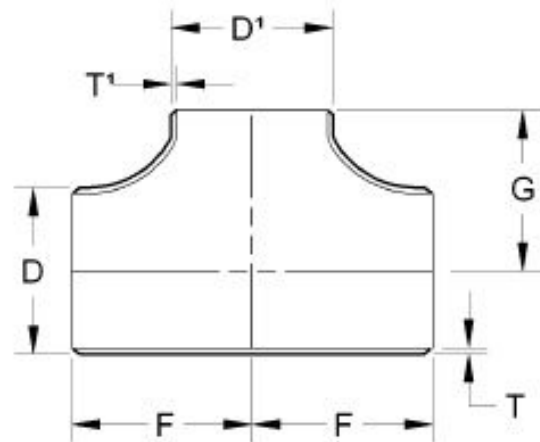
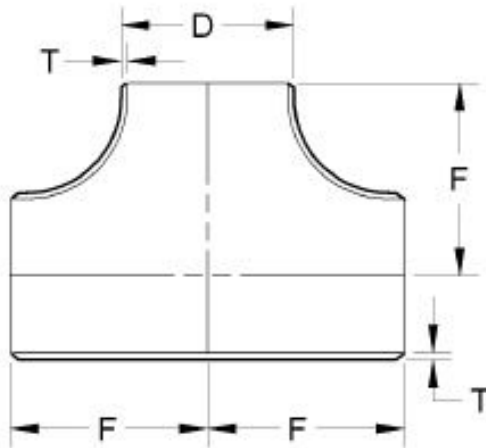
**RS260S**

Curva a saldare 90°  
Soldering elbow 90°  
Coude à souder 90°



Dimensioni in mm.

D	T	F	C	B	Kg.	
					90°	180°
21.3	2.0	17.5	35	28	0.08	0.12
26.9	2.3	25	50	39	0.07	0.14
33.7	2.6	25	50	42	0.08	0.16
42.4	2.6	32	64	53	0.13	0.26
48.3	2.6	38	76	62	0.18	0.36
60.3	2.9				0.33	0.66
	4.5	51	102	81	0.50	1.00
	5.6				0.61	1.22
76.1	2.9	63	127	102	0.56	1.12
88.9	3.2				0.81	1.62
	5.6	76	152	121	1.38	2.76
101.6	3.6	95	190	146	1.22	2.44
108.0	3.6	100	200	154	1.46	2.92
114.3	3.6				1.58	3.16
	6.3	102	203	159	2.89	5.78
	8.8				3.67	7.34
139.7	4.0	127	254	197	2.67	5.34
168.3	4.5				4.34	8.68
	7.1	152	305	237	6.74	13.48
	11.0				10.20	20.40
219.1	6.3				10.50	21.00
	8.0	203	406	313	13.30	26.60
	12.5				20.30	40.60
273.0	6.3	254	508	391	15.50	31.00
323.9	7.1	305	610	467	28.60	57.20
355.6	8.0	356	711	533	30.50	61.00
406.4	8.8	406	813	610	55.00	110.00
457.2	10.0	457	914	686	80.00	160.00
508.0	11.0	508	1016	762	109.00	218.00
609.6	12.5	609	1219	914	175.00	350.00

**RS250**Tee a saldare  
Soldering Tee  
Tee à souder**EN 10253-1 - DIN 2615/1 - ISO 3419**

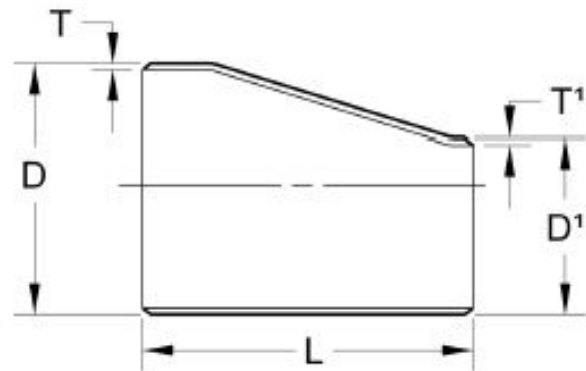
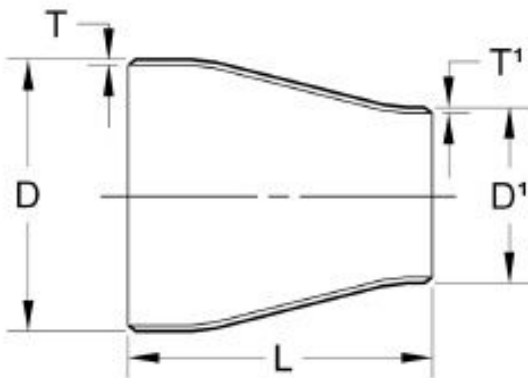
Dimensioni in mm.

D	D1	T	T1	F	G	Kg.	D	D1	T	T1	F	G	Kg.	
21.3	21.3	2.0	2.0	25	-	0.08	133.0	133.0	4.0	4.0	120	-	4.80	
26.9	26.9	2.3	2.3	29	-	0.12	139.7	139.7	4.0	4.0	124	-	5.10	
	21.3		2.0		29	29		0.12		114.3		3.6	117	5.10
33.7	33.7	2.6	2.6	38	-	0.26	139.7	88.9	4.0	3.2	124	111	5.10	
	26.9		2.3		38	38		0.26		78.1		2.9	108	5.10
	21.3		2.0		38	38		0.26		60.3		2.9	105	5.10
42.4	42.4	2.6	2.6	48	-	0.45	159.0	159.0	4.5	4.5	138	-	8.10	
	33.7		2.6		48	48		0.45		168.3		4.5	-	9.00
	26.9		2.3		48	48		0.45		139.7		4.0	137	9.00
48.3	48.3	2.6	2.6	57	-	0.58	168.3	114.3	4.5	3.6	143	130	9.00	
	42.4		2.6		57	57		0.58		88.9		3.2	124	9.00
	33.7		2.6		57	57		0.58		78.1		2.9	121	9.00
	26.9		2.3		57	57		0.58		60.3		2.9	117	9.00
	21.3		2.0		57	57		0.58		-		-	-	-
60.3	60.3	2.9	2.9	64	-	0.85	219.1	219.1	6.3	6.3	178	-	18.00	
	48.3		2.6		60	60		0.85		168.3		4.5	168	18.00
	42.4		2.6		64	57		0.85		139.7		4.0	162	18.00
	33.7		2.6		51	51		0.85		114.3		3.6	156	18.00
	26.9		2.3		44	44		0.85		88.9		3.2	152	18.00
76.1	76.1	2.9	2.9	76	-	1.20	273.0	273.0	6.3	6.3	216	-	26.50	
	60.3		2.9		70	70		1.20		219.1		6.3	203	26.50
	48.3		2.6		67	67		1.20		168.3		4.5	194	26.50
	42.4		2.6		64	64		1.20		139.7		4.0	191	26.50
	33.7		2.6		57	57		1.20		114.3		3.6	184	26.50
88.9	88.9	3.2	3.2	86	-	1.80	323.9	323.9	7.1	7.1	254	-	42.00	
	76.1		2.9		83	83		1.80		273.0		6.3	241	42.00
	60.3		2.9		76	76		1.80		219.1		6.3	229	42.00
	48.3		2.6		73	73		1.80		168.3		4.5	219	42.00
	42.4		2.6		70	70		1.80		-		-	-	-
33.7	2.6	67	67	1.80	-	-	-	-						
101.6	101.6	3.6	3.6	95	-	2.90	355.6	355.6	8.0	8.0	279	-	71.00	
108.0	108.0	3.6	3.6	100	-	3.10		323.9		7.1		270	60.00	
	114.3		3.6		-	-		3.10		273.0		6.3	257	60.00
114.3	88.9	3.6	3.2	105	98	3.10		219.1		6.3		248	54.00	
	76.1		2.9		95	95		3.10		168.3		4.5	238	54.00
	60.3		2.9		89	89	3.10	139.7	4.0	245	52.00			
	48.3		2.6		86	86	3.10	-	-	-	-			
406.4	406.4	8.8	8.8	305	-	85.00	406.4	406.4	8.8	8.8	305	-	85.00	
	355.6		8.0		305	305		85.00		355.6		8.0	295	85.00
	323.9		7.1		283	283		82.00		323.9		7.1	283	82.00
	273.0		6.3		273	273		74.00		273.0		6.3	273	74.00
	219.1		6.3		264	264		74.00		219.1		6.3	273	74.00
168.3	4.5	264	264	74.00	168.3	4.5	264	74.00						

**Assotherm srl - Via Fratelli Calvi, 7 - 24060 Casazza (BG) Italy**  
 Tel +39 035813182 - Fax +39 035816892 - E-mail [info@assotherm.com](mailto:info@assotherm.com)

**RS294**

Riduzione concentrica nera a saldare  
Soldering concentric reducer  
Réduction concentrique noire à souder



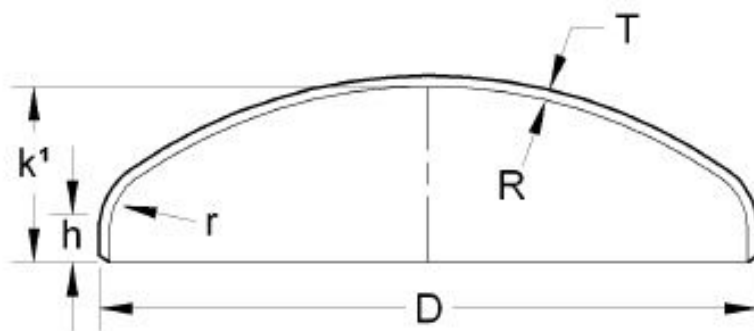
Dimensioni in mm.

D	D1	T	T1	L	Kg.	D	D1	T	T1	L	Kg.
26.9	21.3	2.3	2.0	38	0.05	108.0	88.9	3.6	3.2	100	0.90
33.7	26.9	2.6	2.3	51	0.10		76.1		2.9		0.90
	21.3		2.0		0.10		70.0		2.9		0.90
42.4	33.7	2.6	2.6	51	0.12		60.3		2.9		0.90
	26.9		2.3		0.12		48.3		2.6		0.90
	21.3		2.0		0.12		42.4		2.6		0.90
48.3	42.4	2.6	2.6	64	0.18	33.7	2.6	0.90			
	33.7		2.6		0.18	108.0	3.6	3.6	0.90		
	26.9		2.3		0.18	101.6	3.6	3.6	0.90		
	21.3		2.0		0.18	88.9	3.2	3.2	0.90		
60.3	48.3	2.9	2.6	76	0.30	76.1	2.9	0.90			
	42.4		2.6		0.30	114.3	3.6	3.6	0.90		
	33.7		2.6		0.30	60.3	2.9	2.9	0.90		
	26.9		2.3		0.30	48.3	2.6	2.6	0.90		
	21.3		2.0		0.30	42.4	2.6	0.90			
70.0	60.3	2.9	2.9	89	0.41	33.7	2.6	0.90			
	48.3		2.6		0.41	133.0	4.0	3.6	1.50		
	42.4		2.6		0.41	108.0	3.6	3.6	1.50		
	33.7		2.6		0.41	88.9	3.2	3.2	1.50		
76.1	60.3	2.9	2.9	89	0.47	76.1	2.9	1.50			
	48.3		2.6		0.47	70.0	2.9	2.9	1.50		
	42.4		2.6		0.47	60.3	2.9	2.9	1.50		
	33.7		2.6		0.47	139.7	4.0	3.6	1.70		
88.9	26.9	3.2	2.3	89	0.47	108.0	3.6	1.70			
	21.3		2.0		0.47	101.6	3.6	3.6	1.70		
	76.1		2.9		0.56	88.9	3.2	3.2	1.70		
	70.0		2.9		0.56	76.1	2.9	2.9	1.70		
	60.3		2.9		0.56	60.3	2.9	2.9	1.70		
	48.3		2.6		0.56	159.0	4.5	4.0	2.30		
101.6	42.4	3.6	2.6	100	0.56	133.0	4.0	2.30			
	33.7		2.6		0.56	114.3	3.6	3.6	2.30		
	26.9		2.3		0.56	108.0	3.6	3.6	2.30		
	88.9		3.2		0.88	88.9	3.2	3.2	2.30		
	76.1		2.9		0.88	76.1	2.9	2.9	2.30		
	60.3		2.9		0.88	60.3	2.9	2.30			
	48.3		2.6		0.88						

Assotherm srl - Via Fratelli Calvi, 7 - 24060 Casazza (BG) Italy  
Tel +39 035813182 - Fax +39 035816892 - E-mail [info@assotherm.com](mailto:info@assotherm.com)

**RS288**

Fondo bombato nero a saldare  
Convex cap  
Fond de bombe noir à souder

**EN 10253-1**

$r = 0.1D$

$R = D$

Dimensioni in mm.

D	T	h	K1	TOLL. K 1	Kg.
21.3	2.0	-	-	± 4	0.02
26.9	2.3	-	-		0.02
33.7	2.6	4	11		0.03
38.0	2.6	4	11		0.04
42.4	2.8	4	11		0.04
44.5	2.8	4	11		0.05
48.3	2.6	4	11.5		0.06
54.0	2.8	4	12.5		0.07
57.0	2.9	4	13		0.09
60.3	2.9	6	16.5		0.12
70.0	2.9	6	17.5		0.16
76.1	2.9	6	18.5		0.21
88.9	3.2	8	23		0.28
101.6	3.6	8	24.5		0.36
108.0	3.6	8	25.5		0.39
114.3	3.6	8	26		0.42
133.0	4.0	10	32	± 7	0.56
139.7	4.0	12	35.5		0.62
159.0	4.5	15	43		1.11
168.3	4.5	15	44.5		1.23
193.7	5.6	20	56		1.89
219.1	6.3	30	68.5		2.21
244.5	6.3	30	75		3.90
273.0	6.3	40	90		5.40
323.9	7.1	40	99		7.30
355.6	8.0	40	106		9.80
406.4	8.8	50	125		16.00

**Assotherm srl** - Via Fratelli Calvi, 7 - 24060 Casazza (BG) Italy  
Tel +39 035813182 - Fax +39 035816892 - E-mail [info@assotherm.com](mailto:info@assotherm.com)