




Famiglia/Range/Gamme RF



Dettagli tecnici

Corpo: Ottone stampato CW617N UNI EN 12165


Filettatura: ISO 228-1

Asta: Acciaio INOX

Guarnizioni: NBR (dove presenti)

Temperature: 0°C +95°C

Pressione Nominale: PN 25 (alla temperatura di 40 °C)



Technical details

Body: Stamped Brass CW617N UNI EN 12165


Threads: ISO 228-1

Rod: Stainless Steel

O-rings: NBR (where requested)

Temperature: 0°C +95°C

Nominal Pressure: PN 25 (at temperature 40 °C)



Fiche technique

Corp: Laiton matricé CW617N UNI EN 12165


Taraudage: ISO 228-1

Tige: Acier INOX


Joint toriques: NBR (là où presentes)

Temperature: 0°C +95°C


Pression Nominale: PN 25 (à la temperature de 40 °C)



Consentiti per installazioni di acqua potabile, secondo la normativa UNI-EN 149101 - Annesso A - che consente ai materiali metallici in contatto con acqua destinata ad uso umano, una percentuale di piombo non superiore al 3,5%



Allowed for drinking water installations, according to UNI-EN 149101 - Annex A - which allows metal materials in contact with water intended for human use, a percentage of lead not exceeding 3.5%



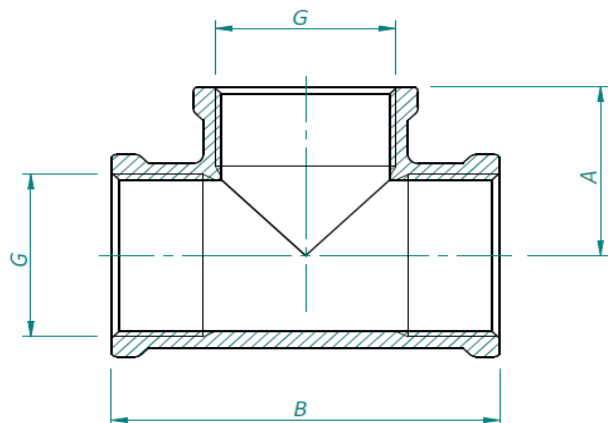
Autorisé pour les installations d'eau potable, selon UNI-EN 149101 - Annexe A - qui permet aux matériaux métalliques en contact avec l'eau destinée à l'usage humain, un pourcentage de plomb ne dépassant pas 3,5%

Ottone CW617N UNI EN 12165 - Brass CW617N UNI EN 12165 - Laiton CW617N UNI EN 12165

CU	PB	SN	FE	AL	NI	ZN
57.0÷59.0	1.6÷2.2	0,3 MAX	0,3 MAX	0,05 MAX	0,1 MAX	RESTO

Dimensioni /Dimensions /Dimensions

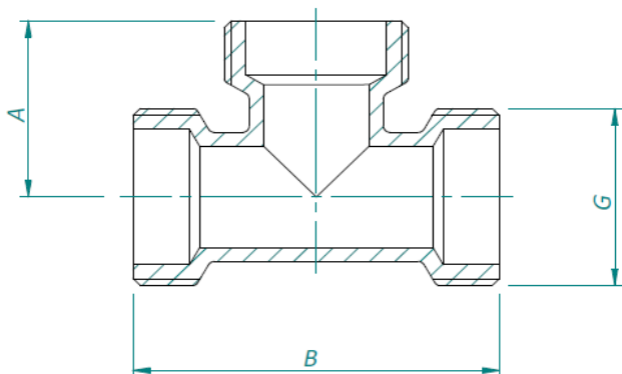
Art. RF 250F - Tee Femmina/Female Tee/Te Femelle



Dim.	G*	A	B
1/4"	G1/4"	17,5	35
3/8"	G3/8"	20,5	41
1/2"	G1/2"	23	46
3/4"	G3/4"	27,5	57
1"	G1"	34	70
1"1/4	G1"1/4	41	82
1"1/2	G1"1/2	43	86
2"	G2"	56,5	113

* ISO 228

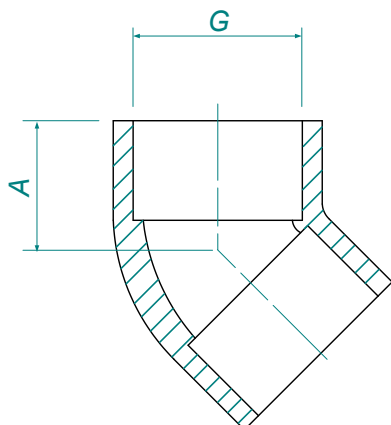
Art. RF 250A - Tee Maschio/Male Tee/Te Male



Dim.	G*	A	B
3/8"	G3/8"	20	41
1/2"	G1/2"	23,5	47
3/4"	G3/4"	26	52
1"	G1"	33,5	65

* ISO 228

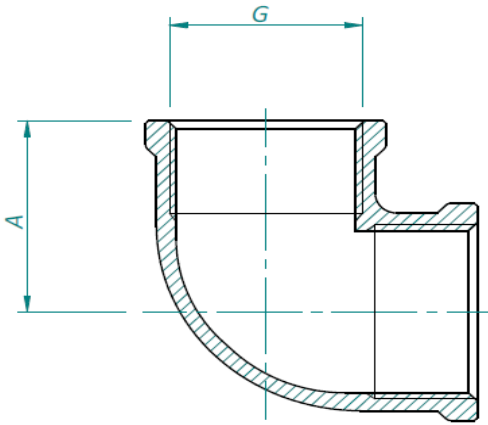
Art. RF120 - Gomito 45° F-F / Elbow 45° F-F / Coude 45° F-F



Dim.	G*	A
1/2"	G1/2"	27
3/4"	G3/4"	32
1"	G1"	30
1"1/4	G1"1/4	31.5
1"1/2	G1"1/2	40
2"	G2"	42

* ISO 228

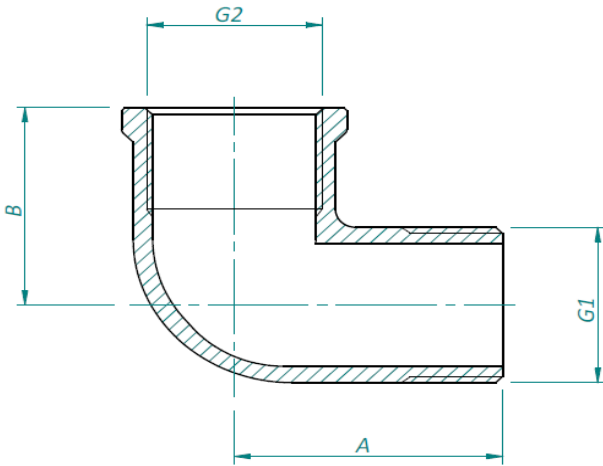
Art. RF 260F - Gomito Femmina/Female Elbow/Coude Femelle



Dim.	G*	A
1/4"	G1/4"	17,5
3/8"	G3/8"	20,5
1/2"	G1/2"	21,5
3/4"	G3/4"	26,5
1"	G1"	31,5
1"1/4	G1"1/4	41
1"1/2	G1"1/2	47
2"	G2"	57

* ISO 228

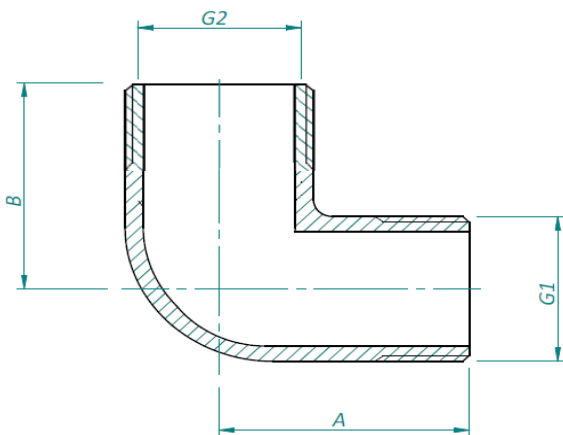
Art. RF 262A - Gomito Maschio-Femmina/Male-Female Elbow/Coude Male-Femelle



Dim.	G1/G2*	A	B
3/8"	G3/8"	26	22
1/2"	G1/2"	23,5	22
3/4"	G3/4"	28	26
1"	G1"	33	30,5
1"1/4	G1"1/4	54	43
1"1/2	G1"1/2	63,5	46
2"	G2"	69,5	56

* ISO 228

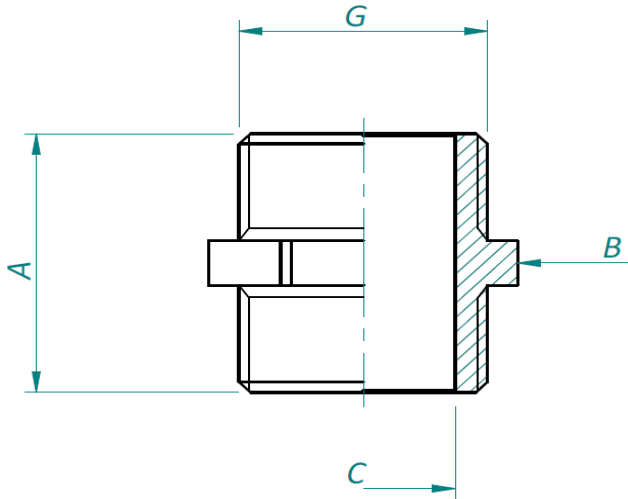
Art. RF 260A - Gomito Maschio-Maschio/Male-Male Elbow/Coude Male-Male



Dim.	G1/G2*	A	B
3/8"	G3/8"	26,5	22
1/2"	G1/2"	24	22
3/4"	G3/4"	29	27
1"	G1"	34	31

* ISO 228

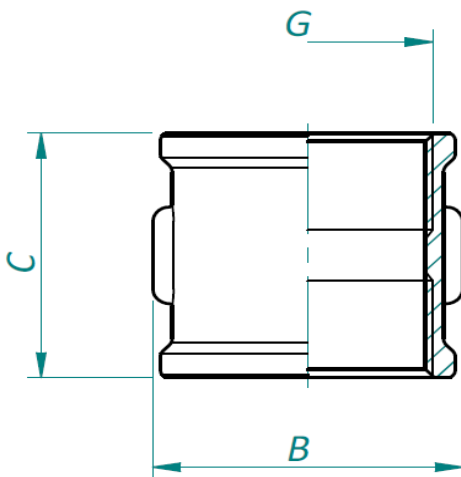
Art. RF 270A - Niplo maschio/Male coupling/Mamelon Male



Dim.	G*	A	B	C
1/4"	G1/4"	19	14	8,5
3/8"	G3/8"	22	19	12
1/2"	G1/2"	24	23	16
3/4"	G3/4"	25,5	28	21
1"	G1"	29,5	34	27
1"1/4	G1"1/4	40,5	48	34,5
1"1/2	G1"1/2	44	54	40
2"	G2"	52,5	65	51
2"1/2	G2"1/2	60,5	80	66
3"	G3"	63,5	94	76,5

* ISO 228

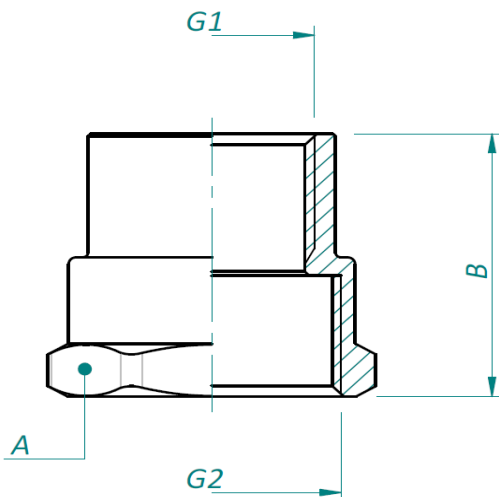
Art. RF 260F - Manicotto Femmina/Female Coupling/Manchon Femelle



Dim.	G*	C	B
1/4"	G1/4"	20	N.P
3/8"	G3/8"	25	N.P
1/2"	G1/2"	27	27
3/4"	G3/4"	29	33,5
1"	G1"	33	40
1"1/4	G1"1/4	45,5	52
1"1/2	G1"1/2	50	57
2"	G2"	61,5	70
2"1/2	G2"1/2	72	88
3"	G3"	76	100

* ISO 228

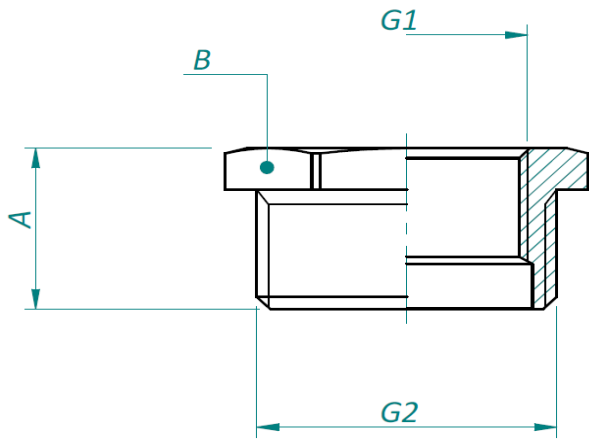
Art. RFR 294 - Manicotto ridotto/Reducing Female Coupling/Manchon réduit Femelle



Dim.	G1*	G2*	A	B
3/8"-1/2"	G3/8"	G1/2"	25	31,5
1/2"-3/4"	G1/2"	G3/4"	30,5	37
1/2"-1"	G1/2"	G1"	36	37
3/4"-1"	G3/4"	G1"	37,5	38,5
1"-1"1/4	G1"	G1"1/4	46,5	45,5
1"-1"1/2	G1"	G1"1/2	51,5	42
1"1/4-1"1/2	G1"1/4	G1"1/2	63,5	47,5
1"-2"	G1"	G2"	52,5	48
1"1/4-2"	G1"1/4	G2"	63,5	48,5
1"1/2-2"	G1"1/2	G2"	63,5	48,5

* ISO 228

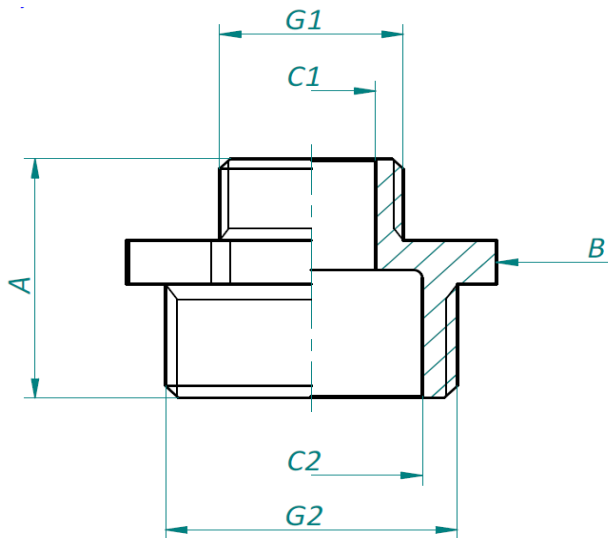
Art. RF 287 - Riduzione Maschio-Femmina/Reducing Male-Female/Reduction Male-Femelle



Dim.	G1*	G2*	A	B
1/4"3/84"	G1/4"	G3/8"	12,8	18,9
1/4"-1/2"	G1/4"	G1/2"	14,7	24,7
3/8"-1/2"	G3/8"	G1/2"	13,2	24,7
1/2"-3/4"	G1/2"	G3/4"	15,5	28
1/2"-1"	G1/2"	G1"	16,4	35
3/4"-1"	G3/4"	G1"	16,4	35
1/2"-1"1/4	G1/2"	G1"1/4	20,7	44,9
3/4"-1"1/4	G3/4"	G1"1/4	20,7	44,9
1"-1"1/4	G1"	G1"1/4	22	44,9
1/2"-1"1/2	G1/2"	G1"1/2	20,7	49,8
3/4"-1"1/2	G3/4"	G1"1/2	20,7	49,8
1"-1"1/2	G1"	G1"1/2	20,7	49,8
1"1/4-1"1/2	G1"1/4	G1"1/2	20,7	49,8
1/2"-2"	G1/2"	G2"	27,8	61,8
3/4"-2"	G3/4"	G2"	27,8	61,8
1"-2"	G1"	G2"	27,8	61,8
1"1/4-2"	G1"1/4	G2"	27,8	61,8
1"1/2-2"	G1"1/2	G2"	27,8	61,8
2"-2/12"	G2"	G2"1/2	34	79,8

* ISO 228

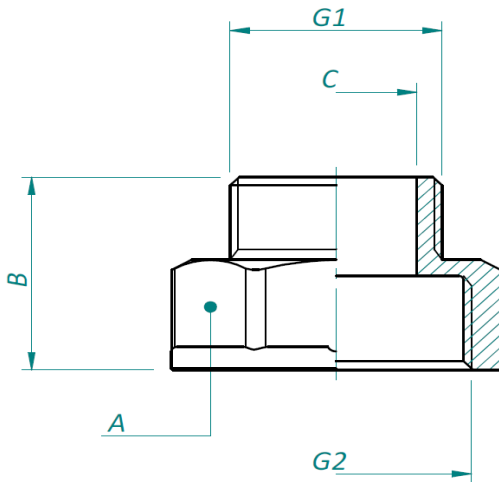
Art. RF 291 - Nipplo ridotto /Reducing Male Coupling/Mamelon Reduit



Dim.	G1*	G2*	A	B
1/4"-3/8"	G1/4"	G3/8"	21	19
1/4"-1/2"	G1/4"	G1/2"	24	22
3/8"-1/2"	G3/8"	G1/2"	21,8	21,5
1/2"-3/4"	G1/2"	G3/4"	24,3	27
1/2"-1"	G1/2"	G1"	30	35,5
3/4"-1"	G3/4"	G1"	27,5	34
1/2"-1"1/4	G1/2"	G1"1/4	34	43,6
3/4"-1"1/4	G3/4"	G1"1/4	35	43,6
1"-1"1/4	G1"	G1"1/4	37,7	43,6
1/2"-1"1/2	G1/2"	G1"1/2	35,2	50
3/4"-1"1/2	G3/4"	G1"1/2	36,5	50
1"-1"1/2	G1"	G1"1/2	39,2	50
1"1/4-1"1/2	G1"1/4	G1"1/2	42	50
1/2"-2"	G1/2"	G2"	39,5	61
3/4"-2"	G3/4"	G2"	41	61
1"-2"	G1"	G2"	43,2	61
1"1/4-2"	G1"1/4	G2"	47	61
1"1/2-2"	G1"1/2	G2"	47,5	61
2"-2/12"	G2"	G2"1/2	56	80

* ISO 228

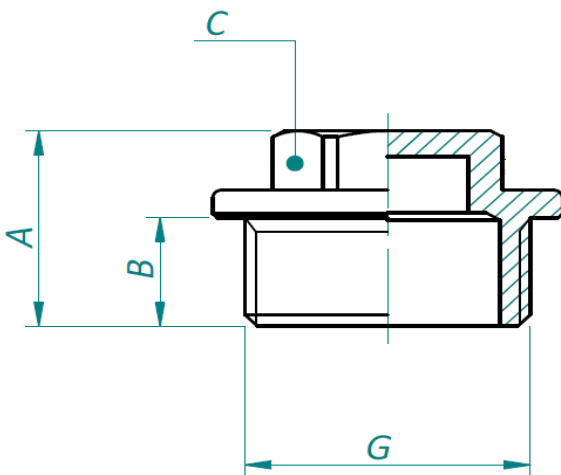
Art. RF 295 - Riduzione Femmina-Maschio /Female-Male Reducing/Reduction Femelle-Male



Dim.	G1*	G2*	A	B	C
3/8"-1/4"	G1/4"	G3/8"	19	21	8
3/8"-1/2"	G3/8"	G1/2"	24	22,8	12
1/2"-3/4"	G1/2"	G3/4"	29	26,3	15,2
1/2"-1"	G1/2"	G1"	36	28,5	15,2
3/4"-1"	G3/4"	G1"	36	29,5	20,7
1/2"-1"1/4"	G1/2"	G1"1/4"	46	32	15,2
3/4"-1"1/4"	G3/4"	G1"1/4"	45	32,5	20,7
1"-1"1/4"	G1"	G1"1/4"	45	33,2	26,5
1"-1"1/2"	G1"	G1"1/2"	52	35,2	26,5
1"1/4"-1"1/2"	G1"1/4"	G1"1/2"	52	34,5	34,5
1"1/4"-2"	G1"1/4"	G2"	64	36,5	34,5
1"1/2"-2"	G1"1/2"	G2"	64	37,5	39

* ISO 228

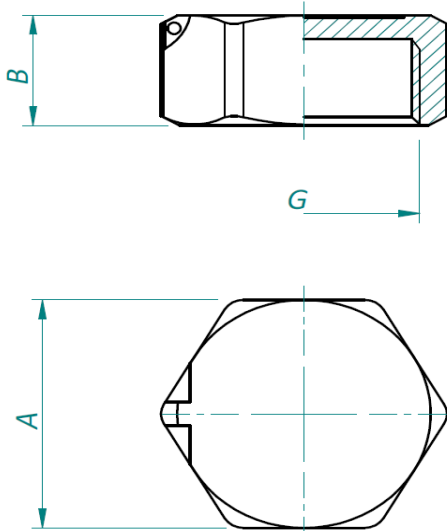
Art. RF 286 - Tappo Maschio /Male Cap/Bouchon Male



Dim.	G*	A	B	C
1/4"	G1/4"	14,5	7,5	14
3/8"	G3/8"	17	9	15
1/2"	G1/2"	18	9,5	16
3/4"	G3/4"	20	11	19
1"	G1"	21	12	19
1"1/4"	G1"1/4"	25	13	19
1"1/2"	G1"1/2"	26,5	14	19
2"	G2"	33	17,5	24

* ISO 228

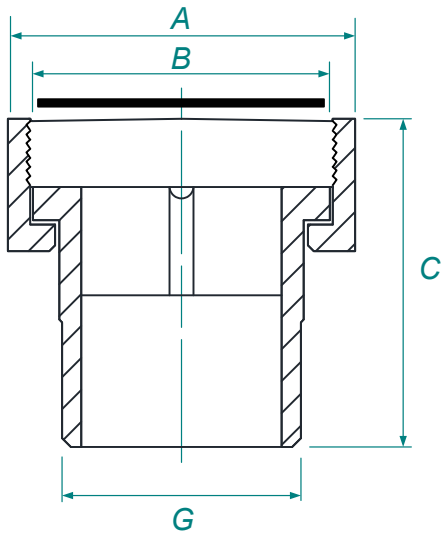
Art. RF 288 - Tappo Femmina /Female Cap/Bouchon Femelle



Dim.	G*	A	B
1/4"	G1/4"	15	10
3/8"	G3/8"	19	11
1/2"	G1/2"	23	12,5
3/4"	G3/4"	29	13,5
1"	G1"	36	16,5
1"1/4"	G1"1/4"	45	17,3
1"1/2"	G1"1/2"	52	19
2"	G2"	64	24

* ISO 228

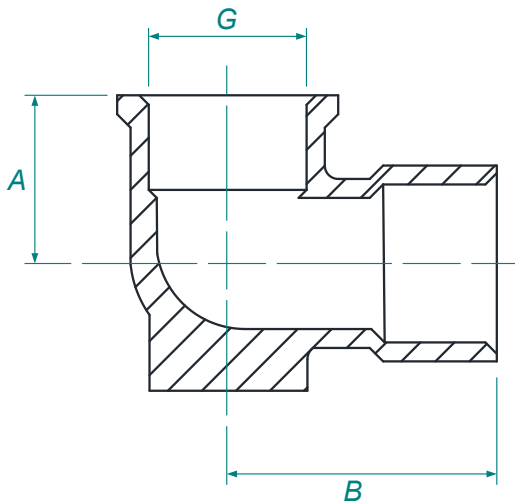
Art. RF 137 - Kit contatore acqua / Water meter kit / Kit compteur d'eau



Dim.	G*	A	B*	C
1/2"x3/4"	G1/2"	Chiave esagonale 30	G3/4"	33,5
3/4"x1"	G3/4"	Chiave esagonale 37	G1"	37
1"x1"1/4"	G1"	Chiave esagonale 47	G1"1/4"	43,5

* ISO 228

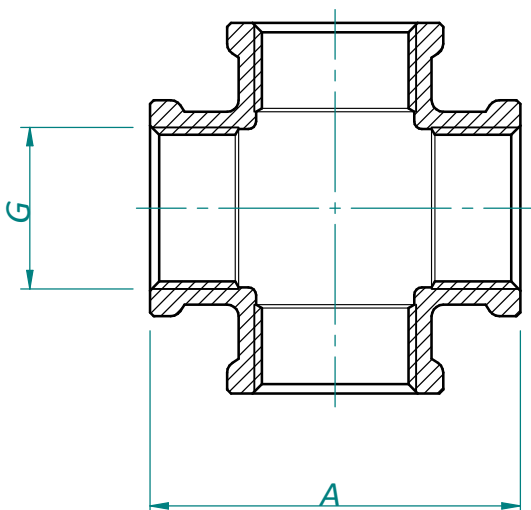
Art. RF 263 - Gomito con base F-F / Elbow with base F-F / Coude avec base F-F



Dim.	G*	A	B
1/2"	G1/2"	23	35,5

* ISO 228

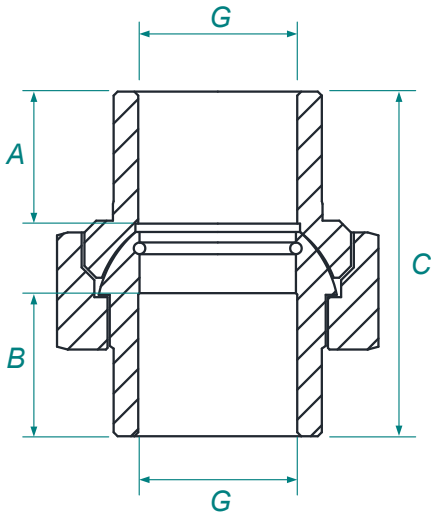
Art. RF 180 - Croce 4 vie F-F-F-F / 4-ways cross F-F-F-F / Croix à 4 voies F-F-F-F



Dim.	G*	A
1/2"	G1/2"	48,5
3/4"	G3/4"	63,5
1"	G1"	70,5
1"1/4"	G1"1/4"	84,5
1"1/2"	G1"1/2"	94,5
2"	G2"	108

* ISO 228

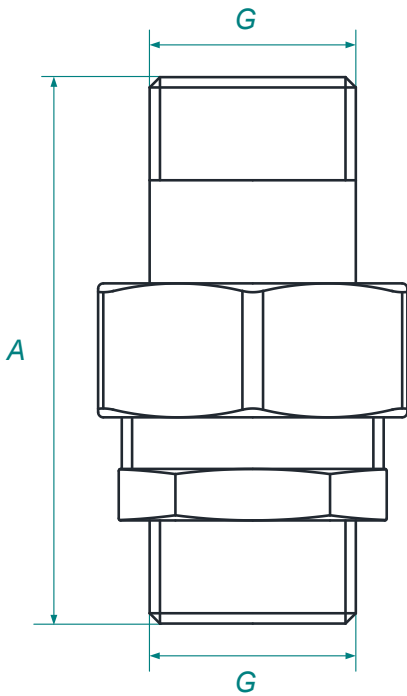
Art. RT 124 - Raccordo dritto 3 pezzi F-F / 3 piece straight fitting F-F / Raccord droit 3 pièces F-F



Dim.	G*	A	B	C
1/2"	G1/2"	16	18	43
3/4"	G3/4"	16	17	50,5
1"	G1"	20	20	55

* ISO 228

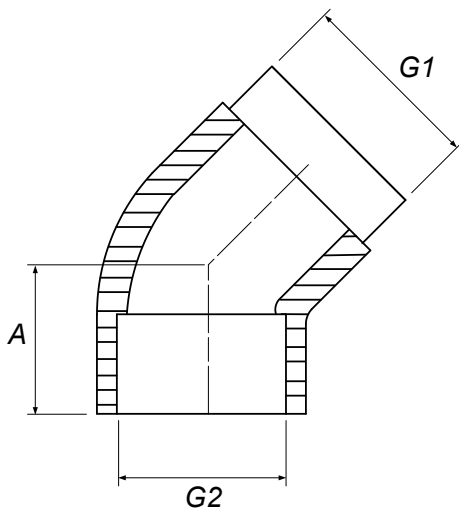
Art. RT 127 - Raccordo dritto 3 pezzi M-M / 3 piece straight fitting M-M / Raccord droit 3 pièces M-M



Dim.	G	A
3/8"	G3/8"	50
1/2"	G1/2"	55
3/4"	G3/4"	65
1"	G1"	68

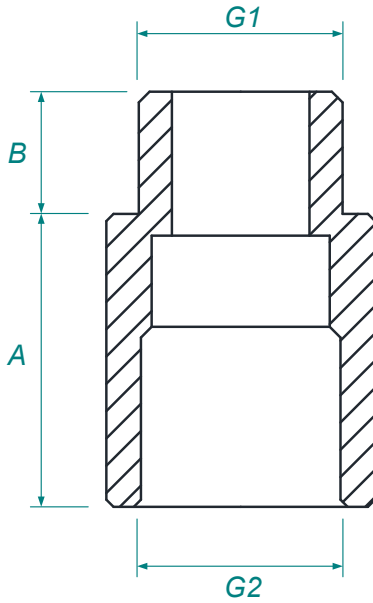
* ISO 228

Art. RF 121 - Gomito 45° M-F / Elbow 45° M-F / Coude 45° M-F



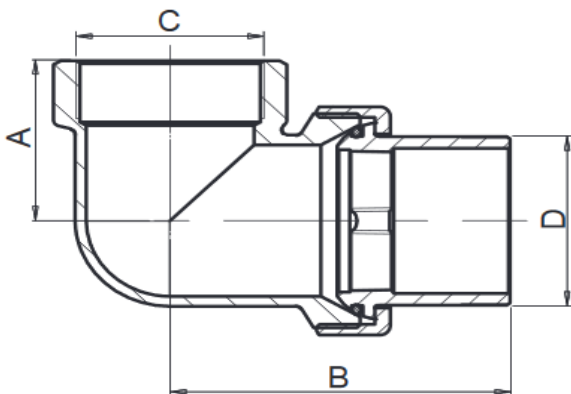
Dim.	G1-G2 *	A
1/2"	G1/2"	27
3/4"	G3/4"	32
1"	G1"	29,5
1"1/4	G1"1/4	35
1"1/2	G1"1/2	37
2"	G2"	37

* ISO 228



Dim.	G1-G2	A	B
1/2"-10	1/2"	12	10
1/2"-15	1/2"	15	17
1/2"-20	1/2"	20	17
1/2"-25	1/2"	25	18
1/2"-30	1/2"	30	18
1/2"-40	1/2"	40	18
1/2"-50	1/2"	50	18
1/2"-60	1/2"	60	18
1/2"-80	1/2"	80	18
1/2"-100	1/2"	100	18
3/4"-10	3/4"	12	9
3/4"-15	3/4"	15	12
3/4"-20	3/4"	20	17
3/4"-25	3/4"	25	19
3/4"-30	3/4"	30	19
3/4"-40	3/4"	40	19
3/4"-50	3/4"	50	19
3/4"-60	3/4"	60	19
3/4"-80	3/4"	80	19
3/4"-100	3/4"	100	19
1"-10	1/2"	12	9
1"-15	1/2"	15	12
1"-20	1/2"	20	17
1"-30	1/2"	30	20
1"-40	1/2"	40	20
1"-50	1/2"	50	20

* ISO 228



Dim.	C *	A	B	D *
3/8"	G3/8"	23	50	G3/8"
1/2"	G1/2"	25	54	G1/2"
3/4"	G3/4"	28	58	G3/4"
1"	G1"	34,5	62	G1"
1"1/4	G1"1/4	42	66	G1"1/4
1"1/2	G1"1/2	45	70	G1"1/2

* ISO 228